






Isotop MSN/Z, MSN/Z-LC and SD/Z

Tension elements as ceiling hanger for building services equipment

- Natural frequency from 3.2Hz
- Load capacities of up to 420kg per spring (SD/Z)
- Secure connection between the plate and the spring thanks to special adhesive
- High level of corrosion protection
- M8 (MSN/Z and MSN/Z-LC) or M10 (SD/Z) internal thread
- Simple load control thanks to open design

		Maximum load		Natural frequency at maximum load	Packaging unit	Order number
		in kg	in N			
 MSN/Z	Isotop MSN/Z 1	3	29	3.5 Hz	20 pcs.	39538
	Isotop MSN/Z 2	5	49	3.5 Hz	20 pcs.	38850
	Isotop MSN/Z 3	9	88	3.5 Hz	20 pcs.	38851
	Isotop MSN/Z 4	14	137	3.5 Hz	20 pcs.	38643
	Isotop MSN/Z 5	23	226	3.5 Hz	20 pcs.	38644
	Isotop MSN/Z 6	35	343	3.5 Hz	20 pcs.	38852
	Isotop MSN/Z 7	53	519	3.5 Hz	20 pcs.	38853
	Isotop MSN/Z 8	90	883	3.5 Hz	20 pcs.	39539
	 MSN/Z-LC	Isotop MSN/Z-LC 1	3	29	3.5 Hz	100 pcs.
Isotop MSN/Z-LC 2		5	49	3.5 Hz	100 pcs.	39541
Isotop MSN/Z-LC 3		9	88	3.5 Hz	100 pcs.	39542
Isotop MSN/Z-LC 4		14	137	3.5 Hz	100 pcs.	39543
Isotop MSN/Z-LC 5		23	226	3.5 Hz	100 pcs.	39544
Isotop MSN/Z-LC 6		35	343	3.5 Hz	100 pcs.	38548
Isotop MSN/Z-LC 7		53	519	3.5 Hz	100 pcs.	39545
Isotop MSN/Z-LC 8		90	883	3.5 Hz	100 pcs.	39546
 SD/Z		Isotop SD/Z 1	20	196	3.2 Hz	20 pcs.
	Isotop SD/Z 2	33	324	3.2 Hz	20 pcs.	39548
	Isotop SD/Z 3	52	510	3.2 Hz	20 pcs.	39549
	Isotop SD/Z 4	82	804	3.2 Hz	20 pcs.	39550
	Isotop SD/Z 5	123	1,206	3.2 Hz	20 pcs.	39551
	Isotop SD/Z 6	195	1,913	3.2 Hz	20 pcs.	39552
	Isotop SD/Z 7	310	3,041	3.2 Hz	20 pcs.	39553
	Isotop SD/Z 8	420	4,120	3.2 Hz	OR	OR

MSN/Z-LC: Not held in stock. Delivery time on request (approx. 15 working days from the factory)
 OR ... On request

The Isotop SD/Z and MSN/Z ceiling hangers are only suitable for use as pipe suspension or for fans in technical building services. This means for water, waste water, water heating systems and ventilation duct construction.

For pipes in industrial production processes that are subject to the requirements of EN 13480 or similar national standards regarding pressure equipment, these ceiling hangers are not suitable, as the maximum deflection is limited (see graph).



Pipework suspension with Isotop SD/Z

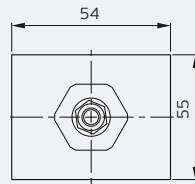
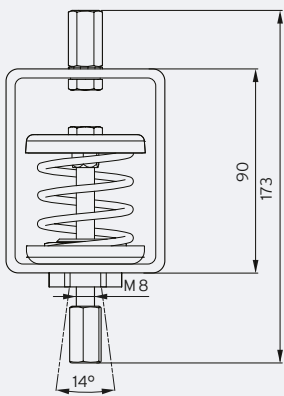


Decoupled pipes with Isotop SD/Z

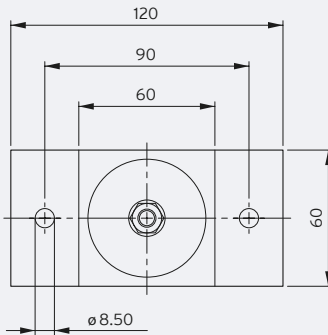
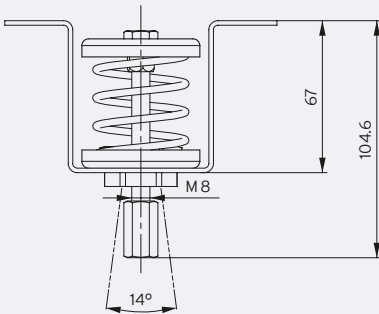


Ceiling hanger Isotop MSN/Z-LC

MSN/Z (unloaded)



MSN/Z-LC (unloaded)



SD/Z (unloaded)

